

 **Primary 4 Maths Term 4 (ACS) 2020** [Duplicate](#)[Print](#)[Delete](#)[Assign Test](#)**Test Introduction**[+ Add Introduction](#)**44 Questions** (85 Points)**Question Bank:** 19,950 Questions [Test Questions](#)[1 Test Assignment](#)**Question 1**

Primary 4 Maths » Primary 4 Math (Term 4)

2 pts

**Section A (30 marks)**

44 thousands and 7 tens is the same as \_\_\_\_\_.

- A) 44 770
- B) 44 700
- C) 44 070
- D) 44 007

**Question Type:** Multiple Choice  
**Randomize Answers:** No  
**Date Added:** Fri 2nd Jul 2021  
**Last Modified:** N/A  
**QID#:** 28,290,383

[Answers](#) | [Edit](#) | [Duplicate](#) | [Used In](#) | [Reorder](#)[Remove From Test](#)**Question 2**

Primary 4 Maths » Primary 4 Math (Term 4)

2 pts

25 784 rounded off to the nearest hundred is \_\_\_\_\_.

- A) 25 700
- B) 25 780
- C) 25 800
- D) 26 000

**Question Type:** Multiple Choice  
**Randomize Answers:** No  
**Date Added:** Fri 2nd Jul 2021  
**Last Modified:** N/A  
**QID#:** 28,290,388

[Answers](#) | [Edit](#) | [Duplicate](#) | [Used In](#) | [Reorder](#)

[Remove From Test](#)

### Question 3

Primary 4 Maths » Primary 4 Math (Term 4)

2 pts

Which number below is 1.4 less than 5.79?

- A) 7.19
- B) 6.83
- C) 5.65
- ✓ D) 4.39

**Question Type:** Multiple Choice  
**Randomize Answers:** No  
**Date Added:** Fri 2nd Jul 2021  
**Last Modified:** N/A  
**QID#:** 28,290,394

[Answers](#) | [Edit](#) | [Duplicate](#) | [Used In](#) | [Reorder](#)

[Remove From Test](#)

### Question 4

Primary 4 Maths » Primary 4 Math (Term 4)

2 pts

Arrange the following decimals from the smallest to the greatest.

2.027, 2.207, 2.702, 2.072

- ✓ A) 2.027,2.072,2.207,2.702
- B) 2.072,2.207,2.027,2.702
- C) 2.072,2.027,2.207,2.702
- D) 2.027,2.207,2.072,2.702

**Question Type:** Multiple Choice  
**Randomize Answers:** No  
**Date Added:** Fri 2nd Jul 2021  
**Last Modified:** N/A  
**QID#:** 28,290,410

[Answers](#) | [Edit](#) | [Duplicate](#) | [Used In](#) | [Reorder](#)

[Remove From Test](#)

### Question 5

Primary 4 Maths » Primary 4 Math (Term 4)

2 pts

Express  $\frac{54}{100}$  as a decimal.

- A) 0.054

- B) 0.504  
 ✓ C) 0.540  
 D) 5.400

**Question Type:** Multiple Choice  
**Randomize Answers:** No  
**Date Added:** Fri 2nd Jul 2021  
**Last Modified:** N/A  
**QID#:** 28,290,695

[Answers](#) | 
 [Edit](#) | 
 [Duplicate](#) | 
 [Used In](#) | 
 [Reorder](#)

[Remove From Test](#)

## Question 6

Primary 4 Maths » Primary 4 Math (Term 4)

2 pts

What is the missing number in the box?

$$9.16 = 9 \frac{\boxed{?}}{50}$$

- A) 32  
 B) 16  
 C) 12  
 ✓ D) 8

**Question Type:** Multiple Choice  
**Randomize Answers:** No  
**Date Added:** Fri 2nd Jul 2021  
**Last Modified:** N/A  
**QID#:** 28,290,702

[Answers](#) | 
 [Edit](#) | 
 [Duplicate](#) | 
 [Used In](#) | 
 [Reorder](#)

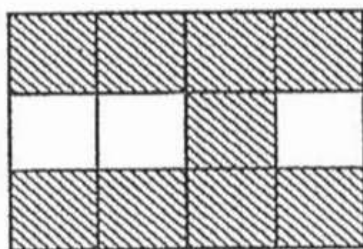
[Remove From Test](#)

## Question 7

Primary 4 Maths » Primary 4 Math (Term 4)

2 pts

The figure shown below is made up of 12 identical squares.  
 What fraction of the figure is shaded?



A)

$$\frac{1}{4}$$

B)

$$\frac{1}{3}$$

C)

$$\frac{1}{2}$$

✓ D)

$$\frac{3}{4}$$

**Question Type:** Multiple Choice  
**Randomize Answers:** No  
**Date Added:** Fri 2nd Jul 2021  
**Last Modified:** N/A  
**QID#:** 28,290,774

[Answers](#) | [Edit](#) | [Duplicate](#) | [Used In](#) | [Reorder](#)

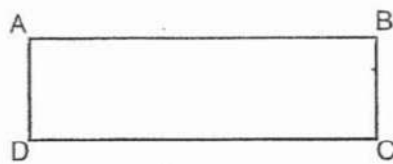
[Remove From Test](#)

## Question 8

Primary 4 Maths » Primary 4 Math (Term 4)

2 pts

ABCD is a rectangle.



Which of the following statement about the rectangle ABCD is correct?

- A) AB is perpendicular to CD
- ✓ B) AD is parallel to BC
- C) The length of AB is 4 times the length of BC
- D) There is only a pair of parallel sides

**Question Type:** Multiple Choice  
**Randomize Answers:** No  
**Date Added:** Fri 2nd Jul 2021  
**Last Modified:** N/A  
**QID#:** 28,290,782

**Question 9**

Primary 4 Maths » Primary 4 Math (Term 4)

2 pts

1.906 is the same as \_\_\_\_

✓ A)

$$\frac{10}{10} + \frac{9}{10} + \frac{6}{1000}$$

B)

$$\frac{10}{10} + \frac{9}{100} + \frac{6}{1000}$$

C)

$$\frac{1}{10} + \frac{9}{10} + \frac{6}{10}$$

D)

$$\frac{1}{10} + \frac{9}{100} + \frac{6}{1000}$$

**Question Type:** Multiple Choice  
**Randomize Answers:** No  
**Date Added:** Fri 2nd Jul 2021  
**Last Modified:** N/A  
**QID#:** 28,291,212

**Question 10**

Primary 4 Maths » Primary 4 Math (Term 4)

2 pts

What is the missing number in the box?

$$7\frac{5}{9} = \frac{\boxed{?}}{9}$$

A) 35

B) 44

C) 63

✓ D) 68

**Question Type:** Multiple Choice

Randomize Answers: No  
 Date Added: Fri 2nd Jul 2021  
 Last Modified: N/A  
 QID#: 28,291,216

[Answers](#) | [Edit](#) | [Duplicate](#) | [Used In](#) | [Reorder](#)

[Remove From Test](#)

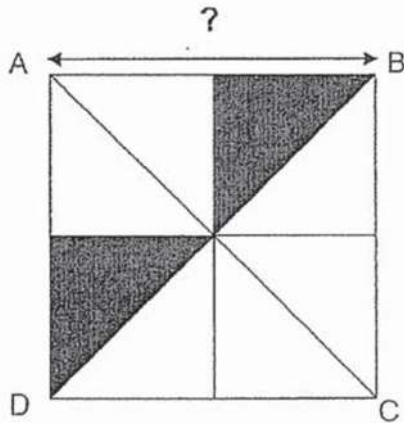
## Question 11

Primary 4 Maths » Primary 4 Math (Term 4)

2 pts

Square ABCD is made up of 8 identical triangles.

The area of one shaded triangle is  $50 \text{ m}^2$ . What is the length of AB?



- A) 25m
- ✓ B) 20m
- C) 10m
- D) 5m

**Question Type:** Multiple Choice  
 Randomize Answers: No  
 Date Added: Fri 2nd Jul 2021  
 Last Modified: N/A  
 QID#: 28,291,220

[Answers](#) | [Edit](#) | [Duplicate](#) | [Used In](#) | [Reorder](#)

[Remove From Test](#)

## Question 12

Primary 4 Maths » Primary 4 Math (Term 4)

2 pts

What is the difference between the 8th multiple of 7 and the 4th multiple of 8?

- A) 88
- B) 56
- C) 32
- ✓ D) 24

**Question Type:** Multiple Choice  
 Randomize Answers: No

Date Added: Fri 2nd Jul 2021  
 Last Modified: N/A  
 QID#: 28,291,224

[Answers](#) | [Edit](#) | [Duplicate](#) | [Used In](#) | [Reorder](#)

[Remove From Test](#)

## Question 13

Primary 4 Maths » Primary 4 Math (Term 4)

2 pts

Which one of the following letter has perpendicular lines?

- A) W
- B) N
- ✓ C) F
- D) Z

**Question Type:** Multiple Choice  
**Randomize Answers:** No  
**Date Added:** Fri 2nd Jul 2021  
**Last Modified:** N/A  
**QID#:** 28,291,231

[Answers](#) | [Edit](#) | [Duplicate](#) | [Used In](#) | [Reorder](#)

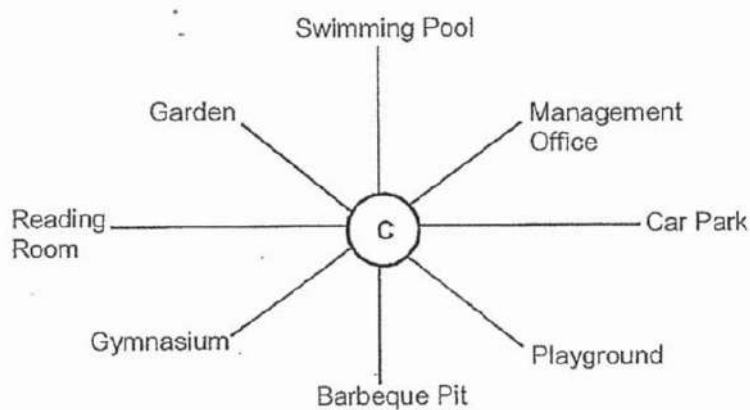
[Remove From Test](#)

## Question 14

Primary 4 Maths » Primary 4 Math (Term 4)

2 pts

Matt is standing at the point marked **C** in the figure below. He is facing the Reading Room. In which direction would he be facing when he turns  $135^\circ$  anti-clockwise?



- A) Management Office
- B) Barbecue Pit
- ✓ C) Playground
- D) Car Park

**Question Type:** Multiple Choice  
**Randomize Answers:** No  
**Date Added:** Fri 2nd Jul 2021  
**Last Modified:** N/A  
**QID#:** 28,291,238

[Answers](#) | [Edit](#) | [Duplicate](#) | [Used In](#) | [Reorder](#)

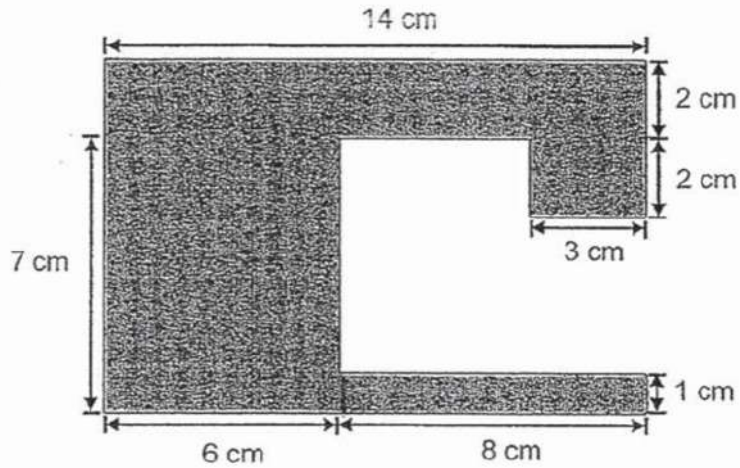
[Remove From Test](#)

## Question 15

Primary 4 Maths » Primary 4 Math (Term 4)

2 pts

What is the area of the shaded figure?



- A) 126 cm<sup>2</sup>
- B) 98 cm<sup>2</sup>
- ✓ C) 84 cm<sup>2</sup>
- D) 42 cm<sup>2</sup>

**Question Type:** Multiple Choice  
**Randomize Answers:** No  
**Date Added:** Fri 2nd Jul 2021  
**Last Modified:** N/A  
**QID#:** 28,291,241

[Answers](#) | [Edit](#) | [Duplicate](#) | [Used In](#) | [Reorder](#)

[Remove From Test](#)

## Question 16

Primary 4 Maths » Primary 4 Math (Term 4)

2 pts

### Section B: (40 marks)

Write seventy thousand and thirteen in figures.

**Accepted answers:**

- ✓ 70013

**Question Type:** Free Text



Date Added: Fri 2nd Jul 2021  
 Last Modified: N/A  
 QID#: 28,291,243

[Answers](#) | [Edit](#) | [Duplicate](#) | [Used In](#) | [Reorder](#)

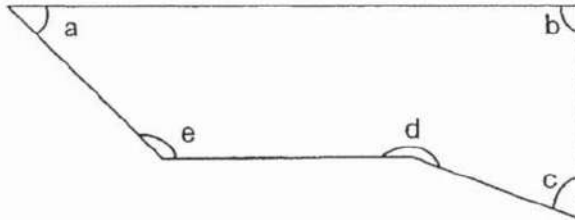
[Remove From Test](#)

## Question 17

Primary 4 Maths » Primary 4 Math (Term 4)

2 pts

In the figure, one of the angles is a right angle. Name the angle.



- A) a
- ✓ B) b
- C) c
- D) d
- E) e

Question Type: Multiple Choice  
 Randomize Answers: No  
 Date Added: Fri 2nd Jul 2021  
 Last Modified: N/A  
 QID#: 28,291,246

[Answers](#) | [Edit](#) | [Duplicate](#) | [Used In](#) | [Reorder](#)

[Remove From Test](#)

## Question 18

Primary 4 Maths » Primary 4 Math (Term 4)

2 pts

Find the value of  $6 \div 7$ . Round off your answer as a decimal to 2 decimal places.

Accepted answers:

- ✓ 0.86

Question Type: Free Text  
 Date Added: Fri 2nd Jul 2021  
 Last Modified: N/A  
 QID#: 28,291,248

[Answers](#) | [Edit](#) | [Duplicate](#) | [Used In](#) | [Reorder](#)

[Remove From Test](#)

## Question 19

Primary 4 Maths » Primary 4 Math (Term 4)

2 pts

What is the remainder when 1276 is divided by 6?

**Accepted answers:**

✓ 4

**Question Type:** Free Text  
**Date Added:** Fri 2nd Jul 2021  
**Last Modified:** N/A  
**QID#:** 28,291,251

[Answers](#) | [Edit](#) | [Duplicate](#) | [Used In](#) | [Reorder](#)

[Remove From Test](#)

## Question 20

Primary 4 Maths » Primary 4 Math (Term 4)

2 pts

Some factors of 81 are 1,9 and 81. What are the other two factors of 81?

\_\_\_\_, \_\_\_\_\_

**Accepted answers:**

✓ 3,27

✓ 3, 27

✓ 3 ,27

✓ 3 , 27

✓ 3 27

**Question Type:** Free Text  
**Date Added:** Fri 2nd Jul 2021  
**Last Modified:** N/A  
**QID#:** 28,291,256

[Answers](#) | [Edit](#) | [Duplicate](#) | [Used In](#) | [Reorder](#)

[Remove From Test](#)

## Question 21

Primary 4 Maths » Primary 4 Math (Term 4)

1 pt

. Write  $\frac{32}{6}$  as a mixed number in its simplest form.

**Accepted answers:**

✓ 5 1/3

✓ 5 1/ 3

✓ 5 1 /3

✓ 5 1 / 3

✓ 51/3

**Question Type:** Free Text  
**Date Added:** Fri 2nd Jul 2021  
**Last Modified:** N/A  
**QID#:** 28,291,365

[Answers](#) | [Edit](#) | [Duplicate](#) | [Used In](#) | [Reorder](#)

[Remove From Test](#)

## Question 22

Primary 4 Maths » Primary 4 Math (Term 4)

2 pts

The table below shows the favourite sport of Primary 4J pupils. Use the information provided in the table to answer questions 22 and 23.

Sport	Number of pupils
Basketball	18
Badminton	8
Football	?
Swimming	4
Tennis	7

There were 43 pupils in the class. How many pupils chose football as their favourite sport?

**Accepted answers:**

✓ 6

**Question Type:** Free Text  
**Date Added:** Fri 2nd Jul 2021  
**Last Modified:** N/A  
**QID#:** 28,291,372

### Correctly answered feedback

18+8=26  
 26+4=30  
 30+7=37  
 43-37=6

### Incorrectly answered feedback

18+8=26  
 26+4=30  
 30+7=37  
 43-37=6

[Answers](#) | [Edit](#) | [Duplicate](#) | [Used In](#) | [Reorder](#)

[Remove From Test](#)

## Question 23

Primary 4 Maths » Primary 4 Math (Term 4)

2 pts

Which sport was 2 times as popular as swimming?

A) Basketball

- ✓ B) Badminton
- C) Football
- D) Swimming
- E) Tennis

**Question Type:** Multiple Choice  
**Randomize Answers:** No  
**Date Added:** Fri 2nd Jul 2021  
**Last Modified:** N/A  
**QID#:** 28,291,378

[Answers](#) | [Edit](#) | [Duplicate](#) | [Used In](#) | [Reorder](#)

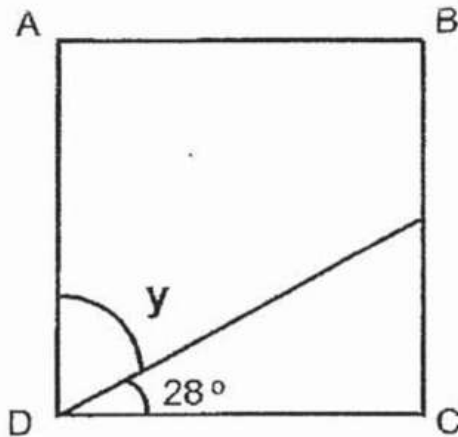
[Remove From Test](#)

## Question 24

Primary 4 Maths » Primary 4 Math (Term 4)

2 pts

ABCD is a rectangle. Find  $\angle y$ .



**Accepted answers:**

✓ 62

**Question Type:** Free Text  
**Date Added:** Fri 2nd Jul 2021  
**Last Modified:** N/A  
**QID#:** 28,291,384

[Answers](#) | [Edit](#) | [Duplicate](#) | [Used In](#) | [Reorder](#)

[Remove From Test](#)

## Question 25

Primary 4 Maths » Primary 4 Math (Term 4)

2 pts

Write the missing number in the number pattern below.

\_\_\_\_, 11 387, 10 137, 8887, 7637

**Accepted answers:**

12637



---

**Question Type:** Free Text  
**Date Added:** Fri 2nd Jul 2021  
**Last Modified:** N/A  
**QID#:** 28,291,387

---

[Answers](#) | [Edit](#) | [Duplicate](#) | [Used In](#) | [Reorder](#)

[Remove From Test](#)

## Question 26

Primary 4 Maths » Primary 4 Math (Term 4)

2 pts

What is the first common multiple of 6 and 8?

**Accepted answers:**

✓ 24

---

**Question Type:** Free Text  
**Date Added:** Fri 2nd Jul 2021  
**Last Modified:** N/A  
**QID#:** 28,291,389

---

[Answers](#) | [Edit](#) | [Duplicate](#) | [Used In](#) | [Reorder](#)

[Remove From Test](#)

## Question 27

Primary 4 Maths » Primary 4 Math (Term 4)

2 pts

Elton took a bus to attend a friend's birthday party. The party lasted for 1h 45 min and ended at 16 30. If the bus ride to the friend's place was 22 minutes long, what time did Elton board the bus? Leave your answer in 24-hour clock format.

**Accepted answers:**

✓ 1423

✓ 14 23

---

**Question Type:** Free Text  
**Date Added:** Fri 2nd Jul 2021  
**Last Modified:** N/A  
**QID#:** 28,291,395

---

[Answers](#) | [Edit](#) | [Duplicate](#) | [Used In](#) | [Reorder](#)

[Remove From Test](#)

## Question 28

Primary 4 Maths » Primary 4 Math (Term 4)

2 pts

What are the missing numerators?

$$\frac{\boxed{(a)}}{4} - \frac{\boxed{(b)}}{3} = \frac{1}{12}$$

\_\_\_\_\_

Accepted answers:

- ✓ 3,2
- ✓ 3, 2
- ✓ 3,2
- ✓ 3 , 2
- ✓ 3 2

**Question Type:** Free Text  
**Date Added:** Fri 2nd Jul 2021  
**Last Modified:** N/A  
**QID#:** 28,291,402

[Answers](#) | [Edit](#) | [Duplicate](#) | [Used In](#) | [Reorder](#)

[Remove From Test](#)

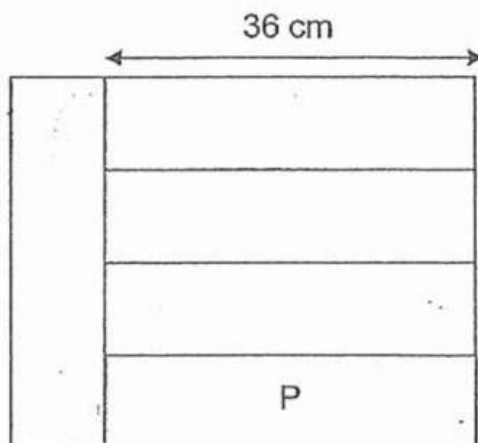
## Question 29

Primary 4 Maths » Primary 4 Math (Term 4)

2 pts

The figure is made up of 5 identical rectangles.

What is the area of rectangle P?



Accepted answers:

- ✓ 324cm<sup>2</sup>
- ✓ 324 cm<sup>2</sup>
- 324



**Question Type:** Free Text  
**Date Added:** Fri 2nd Jul 2021  
**Last Modified:** N/A  
**QID#:** 28,291,412

**Correctly answered feedback**

$36 \div 4 = 9$   
 $36 \times 9 = 324$

**Incorrectly answered feedback**

$36 \div 4 = 9$   
 $36 \times 9 = 324$

[Answers](#) | 
 [Edit](#) | 
 [Duplicate](#) | 
 [Used In](#) | 
 [Reorder](#)

[Remove From Test](#)

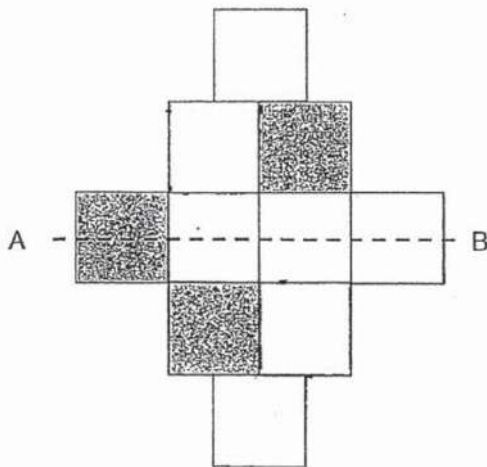
## Question 30

Primary 4 Maths » Primary 4 Math (Term 4)

0 pts

In the figure below, the dotted line AB is the line of symmetry.

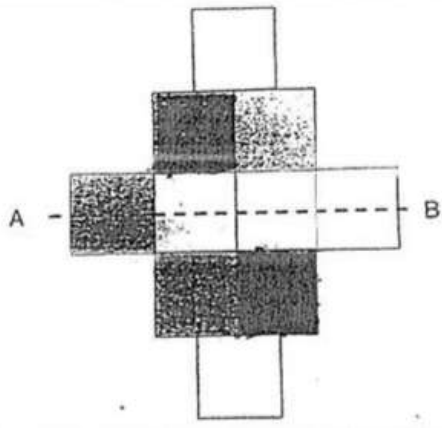
Shade two more unit squares on the figure below to complete the symmetric figure.



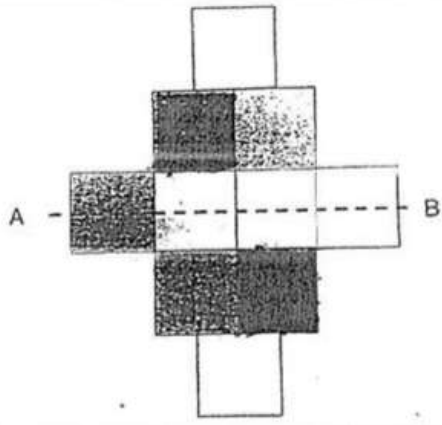
Please type "done" to proceed to the next question

**Question Type:** Essay  
**Date Added:** Fri 2nd Jul 2021  
**Last Modified:** N/A  
**QID#:** 28,291,423

**Correctly answered feedback**



*Incorrectly answered feedback*



[Answers](#) | 
 [Edit](#) | 
 [Duplicate](#) | 
 [Used In](#) | 
 [Reorder](#)

[Remove From Test](#)

## Question 31

Primary 4 Maths » Primary 4 Math (Term 4)

2 pts

Mr Tan bought 18 computers for his office. The cost of each computer was \$976. How much did Mr Tan spend altogether?

**Accepted answers:**

- ✓ \$17568
- ✓ \$ 17568
- ✓ 17568

**Question Type:** Free Text  
**Date Added:** Fri 2nd Jul 2021  
**Last Modified:** N/A  
**QID#:** 28,291,432

[Answers](#) | 
 [Edit](#) | 
 [Duplicate](#) | 
 [Used In](#) | 
 [Reorder](#)

[Remove From Test](#)

## Question 32

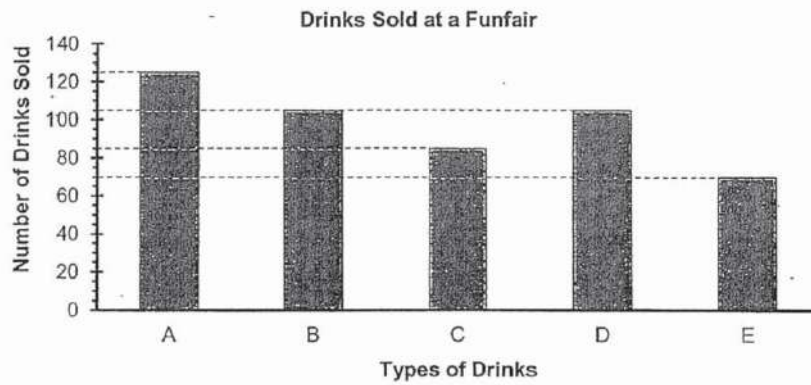
Primary 4 Maths » Primary 4 Math (Term 4)

2 pts



Study the graph below carefully and answer questions 33, 34 and 35.

The bar graph below shows the number of drinks sold at a funfair.



There were \_\_\_\_\_ fewer drinks of Type C sold than Type A.

**Accepted answers:**

✓ 40

**Question Type:** Free Text  
**Date Added:** Fri 2nd Jul 2021  
**Last Modified:** N/A  
**QID#:** 28,291,436

[Answers](#) | [Edit](#) | [Duplicate](#) | [Used In](#) | [Reorder](#)

[Remove From Test](#)

## Question 33

Primary 4 Maths » Primary 4 Math (Term 4)

2 pts

What is the difference between the most popular and least popular drink sold?

**Accepted answers:**

✓ 55

**Question Type:** Free Text  
**Date Added:** Fri 2nd Jul 2021  
**Last Modified:** N/A  
**QID#:** 28,291,440

[Answers](#) | [Edit](#) | [Duplicate](#) | [Used In](#) | [Reorder](#)

[Remove From Test](#)

## Question 34

Primary 4 Maths » Primary 4 Math (Term 4)

2 pts

Each drink costs \$2. How much money was collected from selling Type B drinks at the funfair?

**Accepted answers:**

✓ \$210

✓ \$ 210

✓ 210

**Question Type:** Free Text  
**Date Added:** Fri 2nd Jul 2021  
**Last Modified:** N/A  
**QID#:** 28,291,444

[Answers](#) | [Edit](#) | [Duplicate](#) | [Used In](#) | [Reorder](#)

[Remove From Test](#)

## Question 35

Primary 4 Maths » Primary 4 Math (Term 4)

2 pts

Bob had 3 times as many stamps as Anna. They had 820 stamps altogether. Bob gave 234 stamps to Anna. How many stamps did Anna have in the end?

### Accepted answers:

✓ 439

**Question Type:** Free Text  
**Date Added:** Fri 2nd Jul 2021  
**Last Modified:** N/A  
**QID#:** 28,291,454

#### Correctly answered feedback

820÷4=205  
 205+234=439

#### Incorrectly answered feedback

820÷4=205  
 205+234=439

[Answers](#) | [Edit](#) | [Duplicate](#) | [Used In](#) | [Reorder](#)

[Remove From Test](#)

## Question 36

Primary 4 Maths » Primary 4 Math (Term 4)

2 pts

Winnie had \$564. She spent  $\frac{1}{6}$  of her money on books and another \$158 on groceries. How much money had she left?

### Accepted answers:

✓ 312

✓ \$312

✓ \$ 312

**Question Type:** Free Text  
**Date Added:** Fri 2nd Jul 2021  
**Last Modified:** N/A  
**QID#:** 28,291,460

**Correctly answered feedback**

564÷6=94  
 158+94=252  
 564-252=312

**Incorrectly answered feedback**

564÷6=94  
 158+94=252  
 564-252=312

[Answers](#) | [Edit](#) | [Duplicate](#) | [Used In](#) | [Reorder](#)

[Remove From Test](#)

**Question 37**

Primary 4 Maths » Primary 4 Math (Term 4)

2 pts

Dana usually takes a bus from her home to school. If she leaves home at 06 10, she will reach school at 07 25. Last week, a new MRT line has opened and she can take the train directly from home to school instead. This will shorten her journey by 35 minutes.

a) How long does Dana take to go school by the new MRT line?

**Accepted answers:**

- ✓ 40 min
- ✓ 40Min
- ✓ 40

**Question Type:** Free Text  
**Date Added:** Fri 2nd Jul 2021  
**Last Modified:** N/A  
**QID#:** 28,291,467

**Correctly answered feedback**

50+25=75  
 75-35=40

**Incorrectly answered feedback**

50+25=75  
 75-35=40

[Answers](#) | [Edit](#) | [Duplicate](#) | [Used In](#) | [Reorder](#)

[Remove From Test](#)

**Question 38**

Primary 4 Maths » Primary 4 Math (Term 4)

2 pts

b) Dana spent the next 6h 25min in school before dismissal. If Dana started school at 07 45, at what time was she dismissed from school? Give your answer in the 12h clock format.

**Accepted answers:**

- ✓ 2.10pm
- ✓ 2.10 pm
- ✓ 2.10

**Question Type:** Free Text  
**Date Added:** Fri 2nd Jul 2021  
**Last Modified:** N/A  
**QID#:** 28,291,471

[Answers](#) | [Edit](#) | [Duplicate](#) | [Used In](#) | [Reorder](#)

[Remove From Test](#)

## Question 39

Primary 4 Maths » Primary 4 Math (Term 4)

2 pts

Andy had 1484 pencils and erasers. After he gave away  $\frac{4}{5}$  of the pencils and 248 erasers to Chloe, he had an equal number of pencils and erasers left.

a) How many pencils did Andy have in the end?

**Accepted answers:**

✓ 206

**Question Type:** Free Text  
**Date Added:** Fri 2nd Jul 2021  
**Last Modified:** N/A  
**QID#:** 28,291,993

**Correctly answered feedback**

1484-248=1236  
 1236+6=206

**Incorrectly answered feedback**

1484-248=1236  
 1236+6=206

[Answers](#) | [Edit](#) | [Duplicate](#) | [Used In](#) | [Reorder](#)

[Remove From Test](#)

## Question 40

Primary 4 Maths » Primary 4 Math (Term 4)

2 pts

b) Chloe packed the erasers that she received from Andy into packs of 8 and sold each pack at \$3. How much did she receive from selling the erasers?

**Accepted answers:**

✓ 93

✓ \$93

✓ \$ 93

**Question Type:** Free Text  
**Date Added:** Fri 2nd Jul 2021  
**Last Modified:** N/A  
**QID#:** 28,292,004

**Correctly answered feedback**

249÷3=31  
31×3=93

**Incorrectly answered feedback**

249÷3=31  
31×3=93

[Answers](#) | [Edit](#) | [Duplicate](#) | [Used In](#) | [Reorder](#)

[Remove From Test](#)

## Question 41

Primary 4 Maths » Primary 4 Math (Term 4)

2 pts

The total mass of 3 identical cans of sardine and 2 packets of flour was 8.1kg. The total mass of 5 such cans of sardine and 4 such packet of flour is 14.7kg. What is the mass of 10 cans of sardine and 10 packets of flour?

**Accepted answers:**

- ✓ 33kg
- ✓ 33 kg
- ✓ 33

**Question Type:** Free Text  
**Date Added:** Fri 2nd Jul 2021  
**Last Modified:** N/A  
**QID#:** 28,292,010

**Correctly answered feedback**

14.7-8.1=6.6  
6.6×5=33

**Incorrectly answered feedback**

14.7-8.1=6.6  
6.6×5=33

[Answers](#) | [Edit](#) | [Duplicate](#) | [Used In](#) | [Reorder](#)

[Remove From Test](#)

## Question 42

Primary 4 Maths » Primary 4 Math (Term 4)

2 pts

Kelvin and Hannah had the same number of cards. When Kelvin gave away 2073 of his cards and Hannah gave 367 of her cards, Hannah had five times as many cards as Kelvin. How many cards did each of them have at first?

**Accepted answers:**

- ✓ 2502

**Question Type:** Free Text  
**Date Added:** Fri 2nd Jul 2021  
**Last Modified:** N/A  
**QID#:** 28,292,022

**Correctly answered feedback**

2075-367=1708  
 1708+4=427  
 427x5=2135  
 2135+367=2502

**Incorrectly answered feedback**

2075-367=1708  
 1708+4=427  
 427x5=2135  
 2135+367=2502

[Answers](#) | [Edit](#) | [Duplicate](#) | [Used In](#) | [Reorder](#)

[Remove From Test](#)

**Question 43**

Primary 4 Maths » Primary 4 Math (Term 4)

2 pts

Vincent had some money. He wanted to buy 5 movie tickets but he was short of \$35. Instead, he bought 2 movie tickets and had \$2.50 left. How much money did he have at first?

**Accepted answers:**

- ✓ \$27.50
- ✓ \$ 27.50
- ✓ 27.50

**Question Type:** Free Text  
**Date Added:** Fri 2nd Jul 2021  
**Last Modified:** N/A  
**QID#:** 28,292,035

**Correctly answered feedback**

35+2.50=37.50  
 37.50÷3=12.50  
 12.50+12.50+2.50=27.50

**Incorrectly answered feedback**

35+2.50=37.50  
 37.50÷3=12.50  
 12.50+12.50+2.50=27.50

[Answers](#) | [Edit](#) | [Duplicate](#) | [Used In](#) | [Reorder](#)

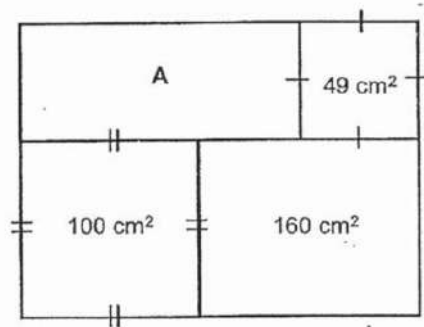
[Remove From Test](#)

**Question 44**

Primary 4 Maths » Primary 4 Math (Term 4)

2 pts

The figure below, not drawn to scale, is made up of 2 squares and 2 rectangles.  
What is the area of Rectangle A?



**Accepted answers:**

- ✓ 133cm<sup>2</sup>
- ✓ 133 cm<sup>2</sup>
- ✓ 133

**Question Type:** Free Text  
**Date Added:** Fri 2nd Jul 2021  
**Last Modified:** N/A  
**QID#:** 28,292,148

**Correctly answered feedback**

$260 \div 10 = 26$   
 $26 - 7 = 19$   
 $19 \times 7 = 133$

**Incorrectly answered feedback**

$260 \div 10 = 26$   
 $26 - 7 = 19$   
 $19 \times 7 = 133$

[Answers](#) | 
 [Edit](#) | 
 [Duplicate](#) | 
 [Used In](#) | 
 [Reorder](#)

[Remove From Test](#)